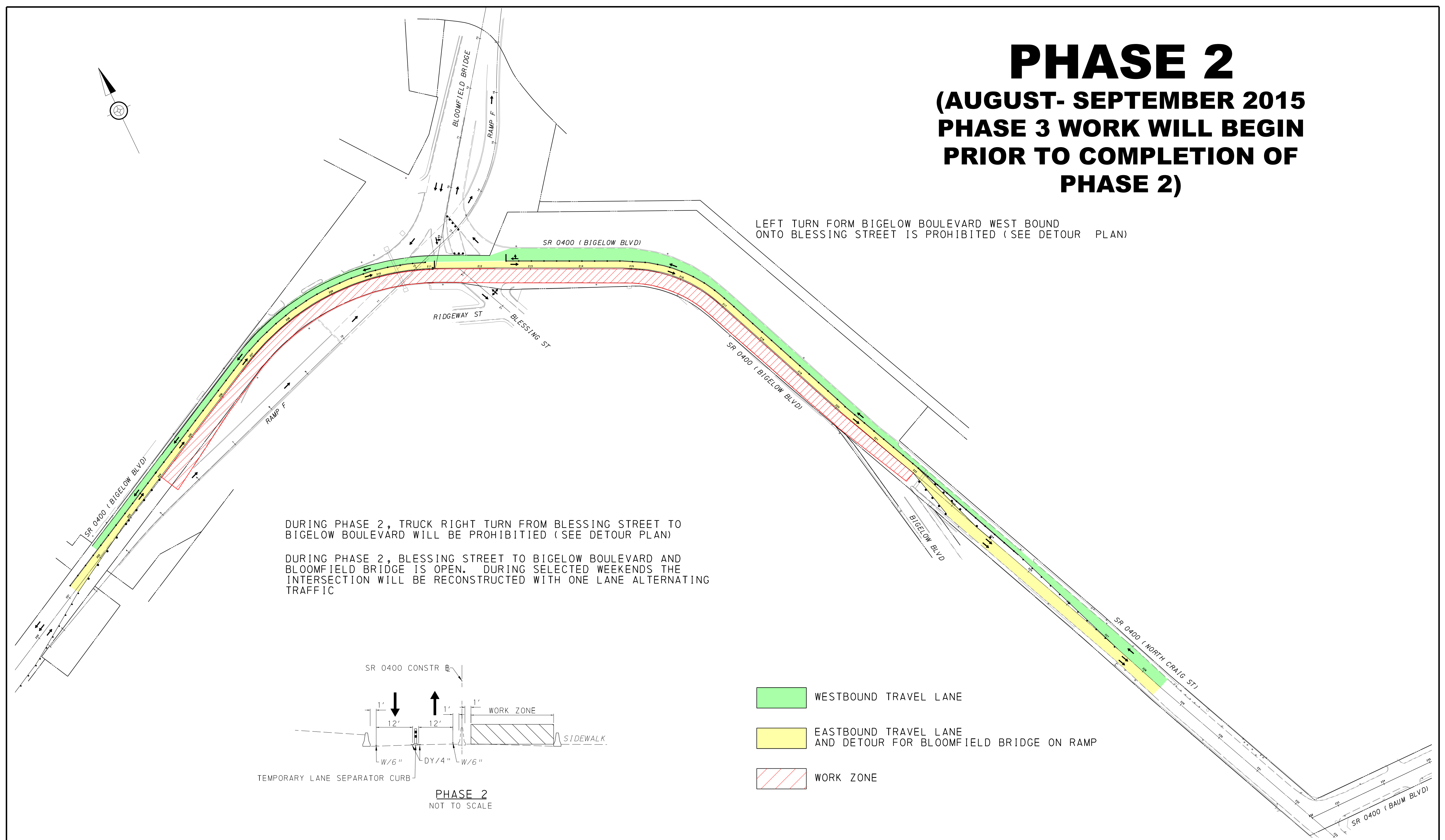


PHASE 2

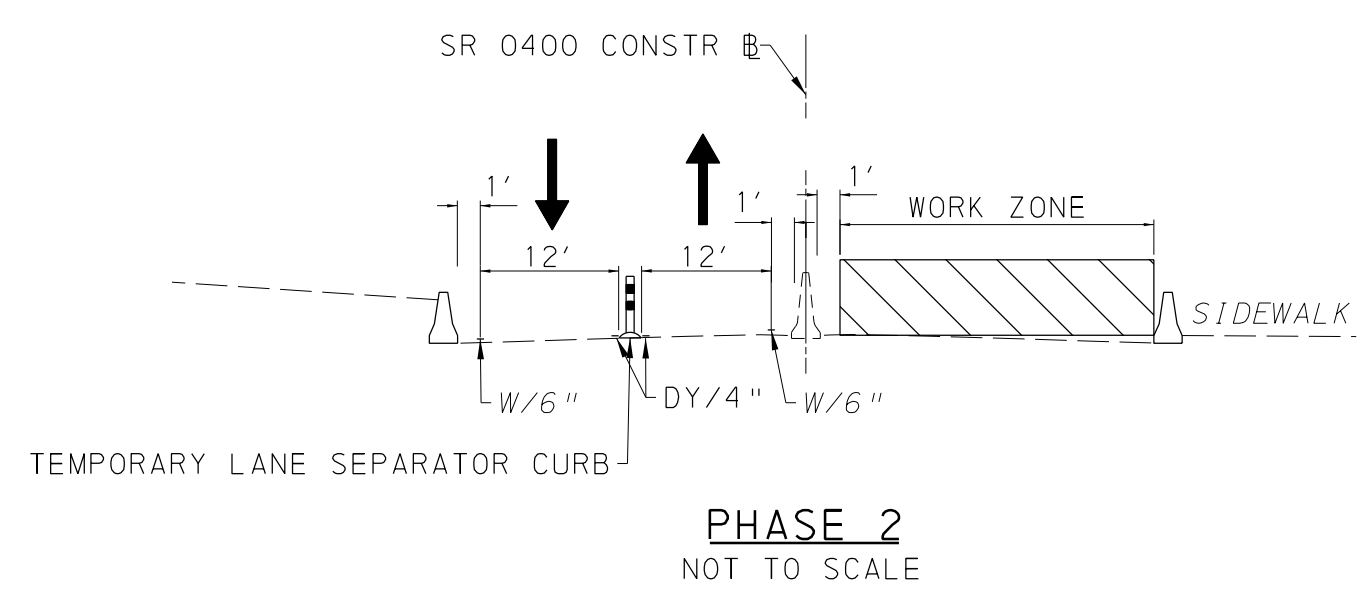
(AUGUST- SEPTEMBER 2015
PHASE 3 WORK WILL BEGIN
PRIOR TO COMPLETION OF
PHASE 2)



LEFT TURN FROM BIGELOW BOULEVARD WEST BOUND
ONTO BLESSING STREET IS PROHIBITED (SEE DETOUR PLAN)

DURING PHASE 2, TRUCK RIGHT TURN FROM BLESSING STREET TO
BIGELOW BOULEVARD WILL BE PROHIBITED (SEE DETOUR PLAN)

DURING PHASE 2, BLESSING STREET TO BIGELOW BOULEVARD AND
BLOOMFIELD BRIDGE IS OPEN. DURING SELECTED WEEKENDS THE
INTERSECTION WILL BE RECONSTRUCTED WITH ONE LANE ALTERNATING
TRAFFIC



- WESTBOUND TRAVEL LANE
- EASTBOUND TRAVEL LANE
AND DETOUR FOR BLOOMFIELD BRIDGE ON RAMP
- WORK ZONE